

## TECHNICAL SPECIFICATIONS ALUMINIUM CYLINDRICAL TUBE MISTUBOS

### General Product Information: TUBES 5 ML

DIAMETER:	13.5	BODY OF THE TUBE:	70
MOUTH TYPE:	Blind	SHOULDER TYPE:	Polished
INTERNAL LACQUER:	Yes	ENAMEL:	Yes
EXTERNAL LACQUER:	Yes	RESIST STIRILIZATION	No
INKS:	Yes	CAP:	Yes
SEALING COMPOUND:	Yes		

**Printed collapsible aluminium tubes** manufactured with the following components, listed from the inner to the outer layer:

Material	WYS code	Description
Internal varnish	300102	Sanitary Gold Interior Varnish "S" TT177B
End sealant	930001	Acrylic resin, Aqueous dispersion
Aluminium (functional barrier)	AW-1070A	99.7% purity
External lacquer	310100-310102	Polyurethane White
Printing inks	Doesn't apply	
Cap	C770PB	Stand up Cap D13.5 M7 Smooth c/p Polypropylene PPM H250 White PWI8625RC

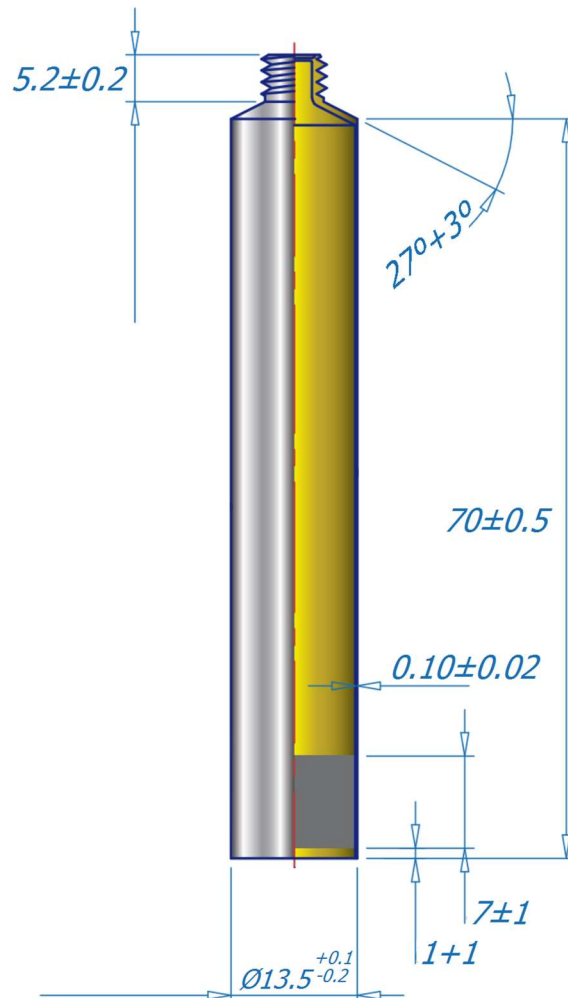
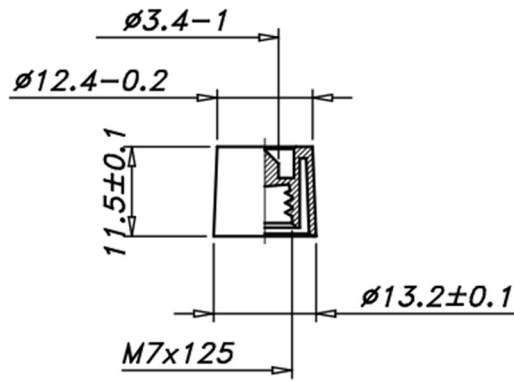
#### RECOMMENDATIONS.

*The design and materials of the tube (i.e. application or not of the internal varnish, as well as its type, cap material, ...) is the responsibility of the customer. Its suitability for the product to be contained in the tube can only be confirmed by the customer through specific stability tests. Any variation in product formulation may involve variations in the resistance of the primary packaging.*

**TUBE DRAWING**

TAPON/CAP/BOUCHON: C770P

UNIDADES/UNITS/UNITES: MM mm



- Espesor de pared sin esmalte ni barniz.
- Wall thickness without enamel and varnish.
- Épaisseur de la paroi sans laque extérieur et sans vernis.

**List of modifications**

Version	Date	Modifications
V.01	28/11/23	Creation

**LOLI ALGABA**

Product Manager