

**TECHNICAL SPECIFICATIONS ALUMINIUM CYLINDRICAL TUBE**
**MISTUBOS**
**General Product Information: TUBE ALUMINIUM CANNULA 4 ML**

DIAMETER:	13,5	BODY OF THE TUBE:	60
MOUTH TYPE:	Aluminum cannula	SHOULDER TYPE:	Polished
INTERNAL LACQUER:	Yes	RESIST STIRILIZATION	No
EXTERNAL LACQUER:	Yes	CAP:	Yes
INKS:	Yes		
SEALING COMPOUND:	Yes		

**Printed collapsible aluminium tubes** manufactured with the following components, listed from the inner to the outer layer:

Material	WYS code	Description
Internal varnish	300102	Sanitary Gold Interior Varnish "S" TT177B
End sealant	930001	Acrylic resin, Aqueous dispersion
Aluminium (functional barrier)	AW-1070A	99.7% purity
External lacquer	310100-310102	Polyurethane White
Printing inks	Doesn't apply	
Cap	A270VB	Cannula Cap M7 High density polyethylene (low pressure) Purell ACP 6541A White BASF Euthylen 00-1905

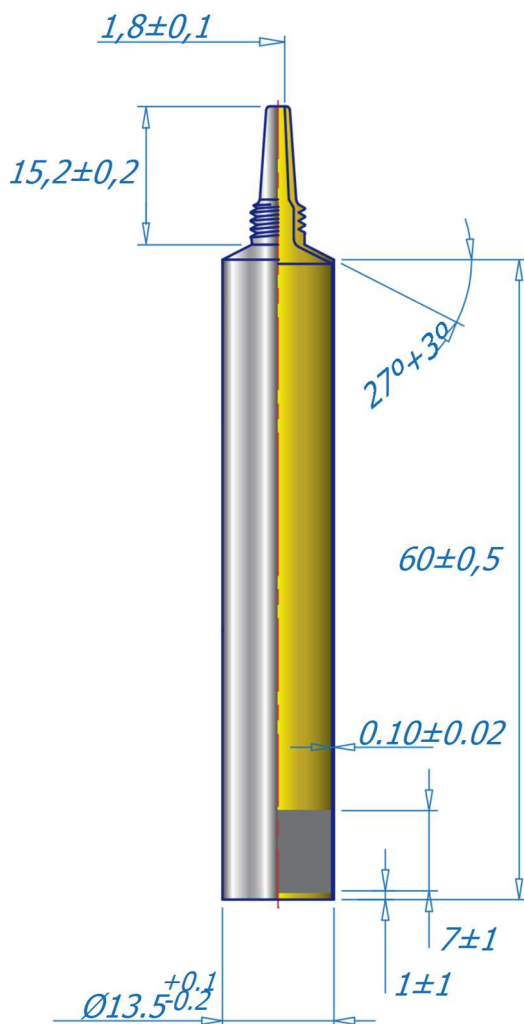
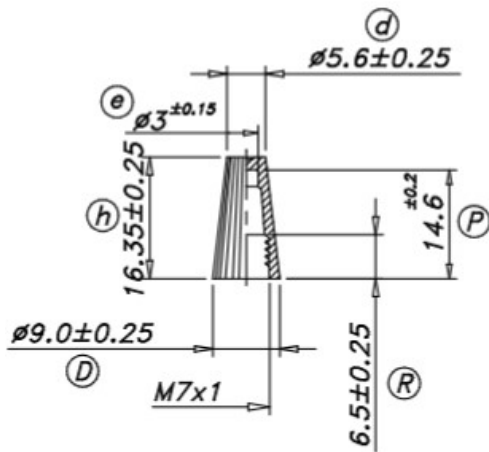
**RECOMMENDATIONS.**

*The design and materials of the tube (i.e. application or not of the internal varnish, as well as its type, cap material, ...) is the responsibility of the customer. Its suitability for the product to be contained in the tube can only be confirmed by the customer through specific stability tests. Any variation in product formulation may involve variations in the resistance of the primary packaging.*

**TUBE DRAWING**

TAPON/CAP/BOUCHON: A270VB

UNIDADES/UNITS/UNITES: MM mm



- Espesor de pared sin esmalte ni barniz.
- Wall thickness without enamel and varnish.
- Épaisseur de la paroi sans laque extérieur et sans vernis.

**List of modifications**

Version	Date	Modifications
V01	29/11/2023	Creation.

**LOLI ALGABA**

Product Manager